



AGRICULTURAL EQUIPMENT

ÜRÜN KATOLOĞU // PRODUCT CATALOGUE

efcagri 

www.efcagri.com



efcagri



Our company EFCAGRI was based in 2009. In a short time, due to high quality standTAs, past experiences, a wide assortment of products and successful realization of projects, it has achieved great success in the production of meadow mowers.

We as an agriculture company, focus on satisfying the needs of our customers, in addition we consultate them about our products. To achieve the high quality of our products, we set highest quality standard in advance, and we do not deviate a single step from the established standart till the end of manufacturing. That's why EFCAGRI produces a wide range of quality products.

Our company pays special attention to the development of its employers in the professional sphere. Thus, bringing their work under high quality standard, which insure our customers with contentment of products.

From the moment of our foundation for now, we work for our clients. EFCAGRI was founded under the motto "Excellent service and trust." This means that every day we work to earn the trust of our customers with our products.

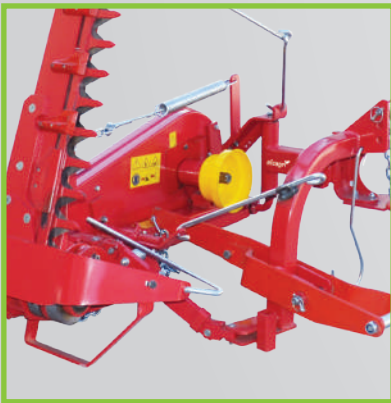
The mission we have undertaken as an EFCAGRI is to produce high-quality, customer oriented products. Our main goal is growing with developing Turkey, and being responsible in the environment, as well as human values.



www.efcagri.com

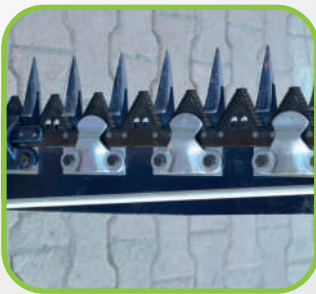
EFC-100

DOUBLE ACTION SICKLE BAR MOWER



TECHNICAL SPECIFICATIONS	EFC-100-180	EFC-100-205	EFC-100-230
CUTTING WIDTH	180 CM	205 CM	230 CM
TOTAL WEIGHT	220 KG	240 KG	260 KG
KNIFE QUANTITY	24 ADET / PIECES	28 ADET / PIECES	32 ADET / PIECES
FINGER QUANTITY	12 ADET / PIECES	14 ADET / PIECES	16 ADET / PIECES
ECCANTRIC PERIOD	1300 D/DAK.	1300 D/DAK.	1300 D/DAK.
AVERAGE KNIFE SPEED	3.29 M/S	3.29 M/S	3.29 M/S

SINGLE ACTION SICKLE BAR MOWER



TECHNICAL SPECIFICATIONS	
CUTTING WIDTH	1800 MM
TOTAL WEIGHT	180 KG
KNIFE QUANTITY	25 ADET / PIECES
FINGER QUANTITY	24 ADET / PIECES
ECCANTRIC PERIOD	1300 D/DAK.
AVERAGE KNIFE SPEED	3.29 M/S

EFC-102

DRUM MOWER



TECHNICAL SPECIFICATIONS	EFC-102	EFC-102-1	EFC-102-2	EFC-102-3
WORKING WIDTH	125	145	165	195
NUMBER OF DRUM	2	2	2	2
NUMBER OF KNIVES	6-8	6-8	6-8	6-8
CUTTING WIDTH	125 CM	145 CM	165 CM	195 CM
TRANSFER OF PTO	540 D/DAK-RPM	540 D/DAK-RPM	540 D/DAK-RPM	540 D/DAK-RPM
DRUM ROTATION	1920 D/DAK-RPM	1920 D/DAK-RPM	1920 D/DAK-RPM	1920 D/DAK-RPM
TRACTOR POWER SUPPLY	25 HP	25 HP	25 HP	25 HP
WEIGHT	380 KG	380 KG	380 KG	380 KG



DRUM MOWER



TECHNICAL SPECIFICATIONS	EFC-103
WORKING WIDTH	125
NUMBER OF DRUM	2
NUMBER OF KNIVES	6-8
CUTTING WIDTH	165 CM
TRANSFER OF PTO	540 D/DAK-RPM
DRUM ROTATION	1920 D/DAK-RPM
TRACTOR POWER SUPPLY	25 HP
WEIGHT	380 KG

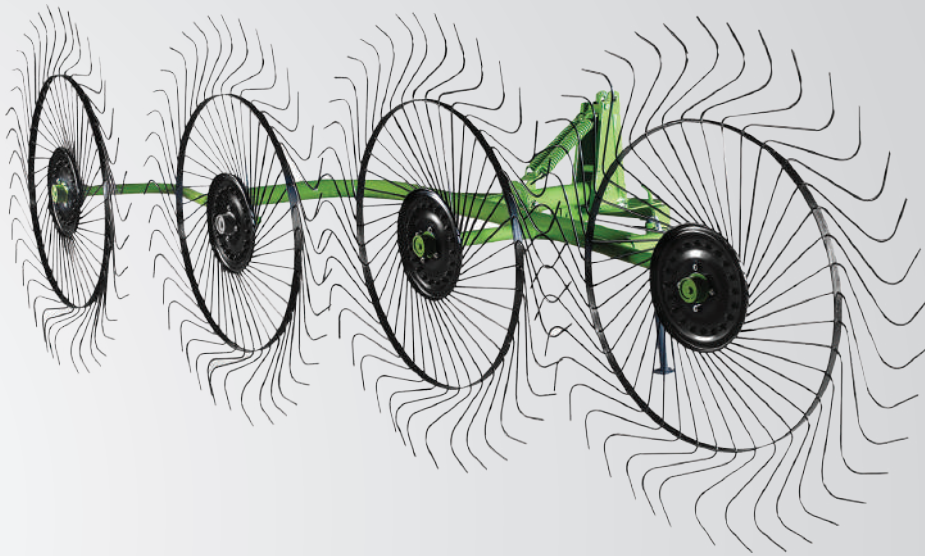
EFC-110

ROTARY RAKES



TECHNICAL SPECIFICATIONS	EFC-110-9	EFC-110-11
NUMBERS OF ROTOR ARM	9	11
NUMBER OF SPRING ARM	3	4
WORKING WIDTH	3.3 M	4 M
WIDTH (TRANSPORT POSITION)	1.2 M	2 M
NUMBER OF TIRES	2	4
BASIC SIZES OF RUBBER WHEEL	16/6,5-8	16/6,5-8
HEIGHT	1.24 M	1.28 M
WEIGHT	400 KG	604 KG
MIN POWER REQUIREMENT	40-50 HP	45-55 HP
PTO SPEED	540 RPM	540 RPM
LENGHT (TRANSPORT POSITION)	2.68 M	2.89 M

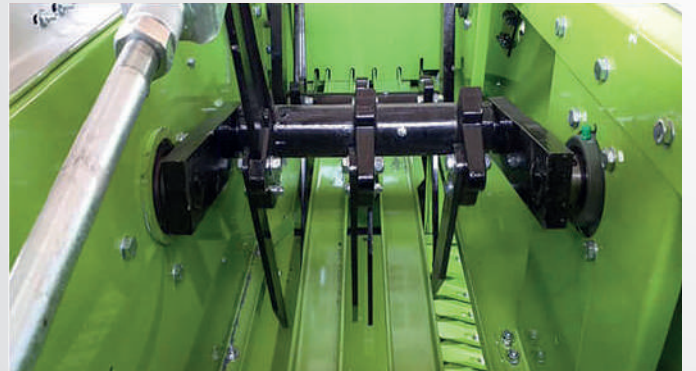
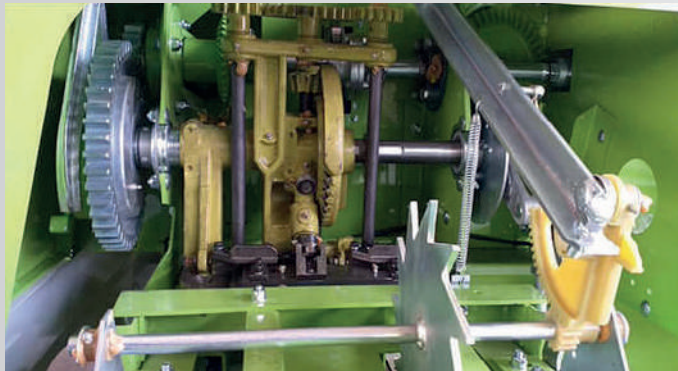
RAKE



TECHNICAL SPECIFICATIONS	EFC-111-4	EFC-111-5
NUMBER OF DRUM (PCS)	4	5
TOTAL LENGHT (MM)	4000	5300
TOTAL WIDTH (MM)	2100	2300
WORKING WIDTH (MM)	2200-2600	3300-3500
NUMBER OF SPRING (PCS)	160	200
TOTAL WEIGHT (KG)	170	190
REQUIRED POWER (HP)	30-50	30-90

EFC-120

BALER MACHINE



EFC-121

REAPER BINDER MACHINE

**140
cm**



TECHNICAL SPECIFICATIONS	
TRANSPORT POSITION (MM)	3460
OVERAL WIDTH (MM)	1900
THE HEIGHT OF CROP (MM)	700-1800
OVERAL HEIGHT (MM)	1100
REAPING WIDTH (MM)	1400

TECHNICAL SPECIFICATIONS	
REAPING HEIGHT (MM)	ADJUSTABLE
CAPACITY (DA/H)	11
MACHINE WEIGHT (KG)	400
PTO (MIN/LT)	540
REQUIRER TRACTOR POWER (HP)	45-55

EFC-130

GARDEN SPRAYER



TECHNICAL SPECIFICATIONS	EFC-130-400	EFC-130-500	EFC-130-600	EFC-130-800
TANK (LT)	400	500	600	800
PUMP	TA-96	TA-96	ES-96	ES-96
PRESSURE	40	40	40	40
SPRAYING HANDLE (M)	10-12	10-12	10-12	10-12
NOZZLE	20-26	20-26	20-26	20-26
REQUIRED POWER (HP)	50-70	50-70	50-70	50-70
ECCENTRIC PERIOD	540	540	540	540

EFC-131

GARDEN SPRAYER



TECHNICAL SPECIFICATIONS	EFC-131-1000
TANK (LT)	1000
PUMP	ES-96
PRESSURE	40
SPRAYING HANDLE (M)	10-12-16
NOZZLE	20-26
REQUIRED POWER (HP)	50-70
ECCENTRIC PERIOD	540

EFC-132

TURBO SPRAYER



TECHNICAL SPECIFICATIONS	EFC-132-200	EFC-132-300	EFC-132-400	EFC-132-500	EFC-132-600
PUMP TYPE	EFC71	EFC71	EFC71	EFC96	EFC96
PUMP FLOW (LT/MIN.)	71	71	71	96	96
PUMP PRESSURE (BAR)	40	40	40	40	40
CONTROL SYSTEM	SPRING	SPRING	VDR50	BAYMATIC	BAYMATIC
FAN TYPE	EFC.50-2	EFC.50-2	EFC.50-2	EFC.75-2	EFC.75-2
NUMBER OF NOZZLES (PCS)	24+4	24+4	4+4	5+4	5+5
POWER REQUIRED (HP)	50-70	50-70	50-70	50-70	50-70
WORK PERIOD (RPM)	540	540	540	540	540

EFC-140

FERTILIZER MACHINE



TECHNICAL SPECIFICATIONS	EFC-140-3000	EFC-140-3000
CAPACITY STORE (LT.)	3000	3000
WIDTH (MM)	1300	1300
LENGTH (MM)	2200	2200
HEIGHT (MM)	2380	2330
WEIGHT (KG)	795	820
WORKING WIDTH (CM)	24-36	24-36
OPEN-CLOSE ADJUSTMENT	HYDRAULIC CONTROLLED	HYDRAULIC CONTROLLED
TRANSMISSION DISTANCE (CM)	100	100

EFC-141

FERTILIZER MACHINE



TECHNICAL SPECIFICATIONS	EFC-141-400	EFC-141-600	EFC-141-800	EFC-141-1000
CAPACITY (LT)	400	600	800	1000
WORK WIDTH (M)	16-20	16-20	16-20	16-20
HEIGHT (MM)	1108	1198	1290	1460
WIDTH (MM)	1030	1120	1110	1100
LENGTH (MM)	1140	1198	1650	1650
MACHINE WEIGHT (KG)	130	150	180	190
STAINLESS STEEL LEAF	OPSIYONEL	OPSIYONEL	OPSIYONEL	OPSIYONEL
STAINLESS STEEL DISC	OPSIYONEL	OPSIYONEL	OPSIYONEL	OPSIYONEL

EFC-142

FERTILIZER MACHINE



TECHNICAL SPECIFICATIONS	EFC-142-800	EFC-142-1000	EFC-142-1200	EFC-142-1500
CAPACITY STORE (LT.)	800	1000	1200	1500
WORKING WIDTH (M)	18-24	18-24	18-24	18-24
HEIGHT (MM)	1260	1260	1220	1225
WIDTH (MM)	1150	1150	1150	1150
LENGTH (MM)	1700	1800	1800	1800
WEIGHT (KG)	225	230	235	240
TRANSMISSION DISTANCE (CMD)	50	50	50	50
DISC TYPE	DOUBLE	DOUBLE	DOUBLE	DOUBLE

EFC-150

FERTILIZER CULTIVATOR



POTATO PLANTER



TYPE	CHAINED
WORKING DEPTH	10-20CM
FEET QUANTITY	3
LENGTH	190 CM
WIDTH	170 CM
HEIGHT	140 CM
WEIGHT	560 CM

EFC-152

POTATO DIGGER



TYPE	DOUBLE ROW	SINGLE ROW
WORKING DEPTH	25-30 CM	25-30 CM
FEET QUANTITY	TÜM BIÇAK	TÜM BIÇAK
LENGTH	230 CM	260 CM
WIDTH	165 CM	125 CM
HEIGHT	125 CM	140 CM
WEIGHT	680 CM	450 CM

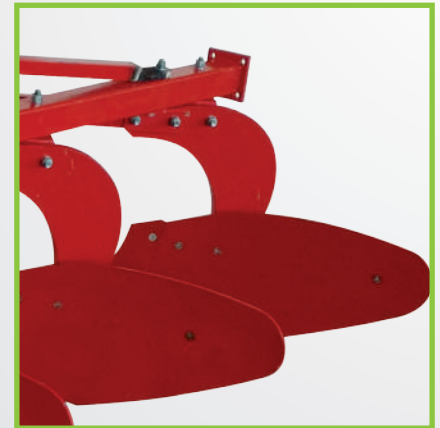
POTATO PLANTER



TYPE	CHAINED	BANDED
WORKING DEPTH	10-20CM	10-20CM
FEET QUANTITY	3	3
LENGTH	190 CM	190 CM
WIDTH	170 CM	170 CM
HEIGHT	140 CM	140 CM
WEIGHT	560 CM	560 CM

EFC-160

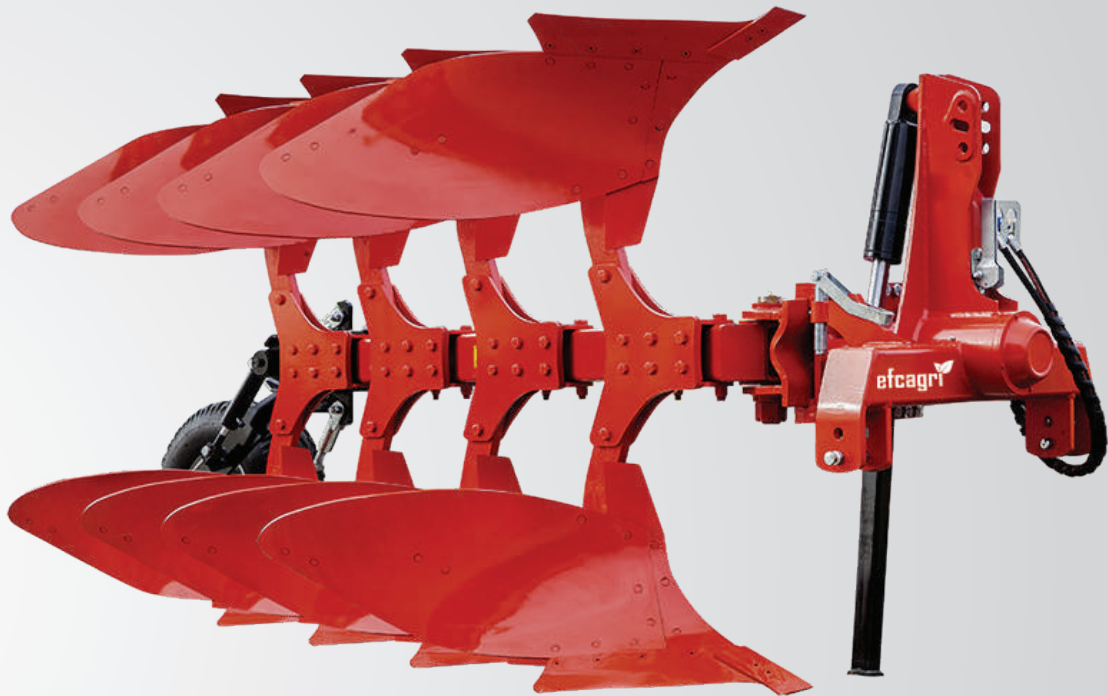
WEDGE PLOUGH (STANDART TYPE)



TECHNICAL SPECIFICATIONS	EFC-160-28	EFC-160-32	EFC-160-36
TYPE	3	4	5
WORKING WIDTH (MM)	101	128	155
WORKING DEPTH (CM)	38	38	38
LEG SPACE (CM)	68	68	68
CHASSIS HEIGHT (CM)	72	72	72
WEIGHT (KG)	384	512	665
NECESSARY POWER	50-60	70-85	80-90

EFC-161

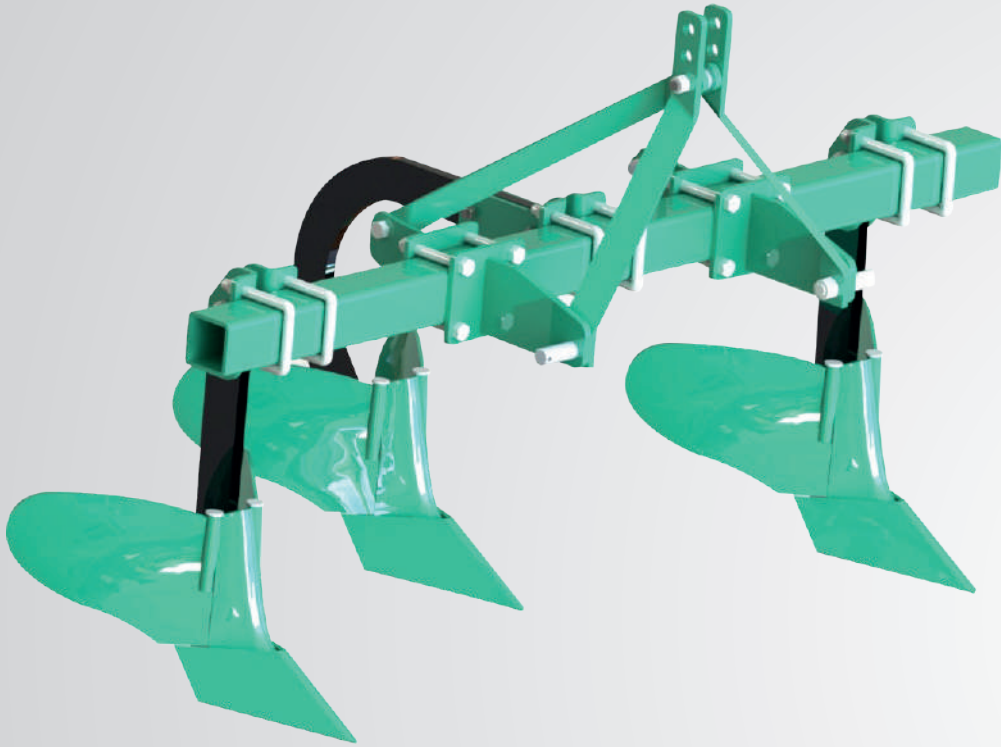
REVERSIBLE PLOUGH HEAVY TYPE



TECHNICAL SPECIFICATIONS TYPE	UNDERBEAM CLEARANCE (CM)	INTERBODY CLEARANCE (CM)	WORKING WIDTH (CM)	WORKING DEPTH (CM)	WEIGHT (KG)			POWER REQUIREMENT (HP)		
					3	4	5	3	4	5
EFC-161-16	75	85	30-35-40-45	36	945	1172	1370	80-90	90-110	110-150
EFC-161-18	80	95	30-35-40-45	40	980	1240	1436	85-100	95-115	110-160

EFC-162

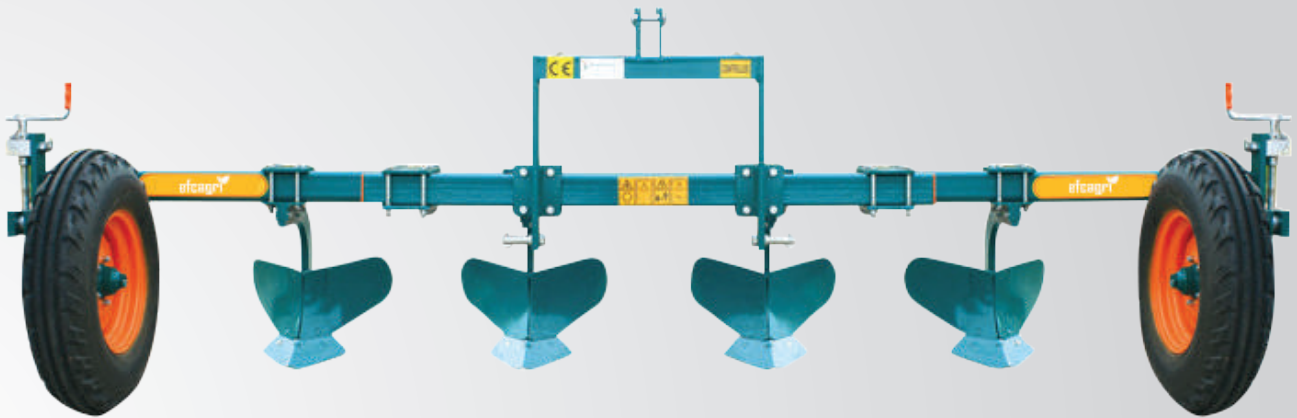
PLOUGH



TECHNICAL SPECIFICATIONS	EFC-162-3	EFC-162-4
LENGTH (CM)	190	260
WEIGHT (KG)	150	210
FOOT PCS (CM)	3	4
FOOT DEPTH (CM)	20	20
2 FOOT BETWEEN DISTANCE (CM)	90	80
TRACTOR POWER (PH)	35-60	35-60

EFC-163

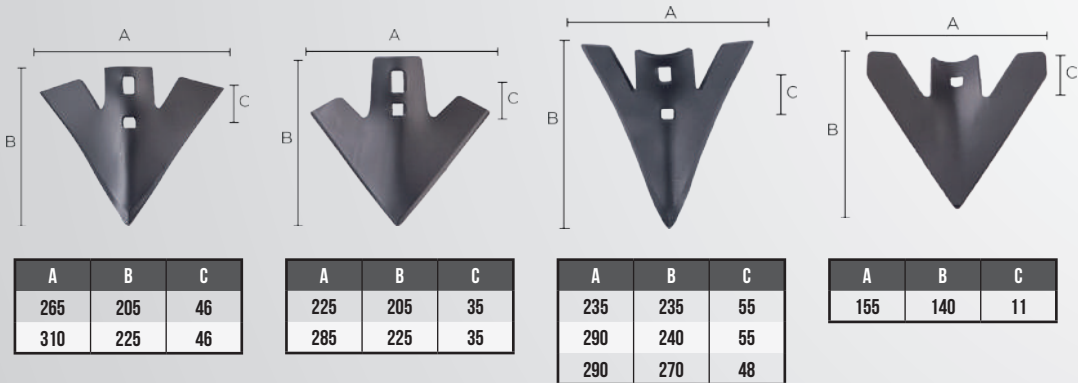
RIDGER



TECHNICAL SPECIFICATIONS	EFC-163
LENGTH (CM)	400
WIDTH (CM)	140
HEIGHT (CM)	95
WEIGHT (KG)	475
FOOT PCS (CM)	4
FOOT DEPTH (CM)	42
WORKING DEPTH (CM)	MAX 60 CM
2 FOOT BETWEEN DISTANCE (CM)	95
TRACTOR POWER (PH)	70-90
TIRE DIMENSIONS	7.50X16

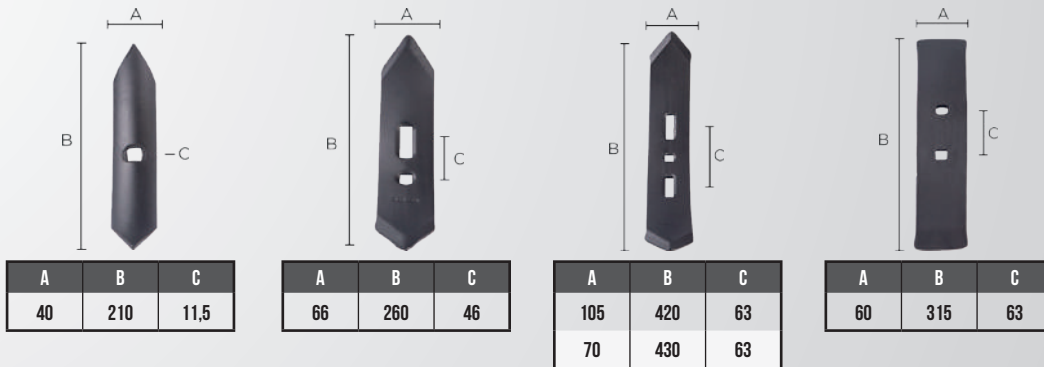
EFC-164

CULTIVATOR



SPECIFICATIONS	EFC-164-5	EFC-164-7	EFC-164-9	EFC-164-11	EFC-164-13
NUMBER OF TINES (PCS)	5	7	9	11	13
WORKING WIDTH (CM)	125	170	238	278	330
COMBINED ROLLER LENGTH (CM)	187	187	187	187	187
TOTAL HEIGHT (CM)	133	133	133	133	133
WORKING DEPTH (CM)	25	25	25	25	25
WEIGHT (KG)	238	286	362	435	502
REQUIRED POWER (HP)	30-40	40-50	50-80	80-100	80-110

CHISELS



TECHNICAL SPECIFICATIONS	EFC-165-5	EFC-165-7	EFC-165-9	EFC-165-11
NUMBER OF TINES (PCS)	5	7	9	11
WORKING WIDTH (CM)	128	191	235	289
TOTAL WIDTH (CM)	157	220	270	320
LENGTH (CM)	110	110	110	120
COMBINED ROLLER LENGTH (CM)	187	187	187	197
TOTAL HEIGHT (CM)	133	133	133	133
WORKING DEPTH (CM)	68	68	68	68
WEIGHT (KG)	400	450	560	700
COMBINED ROLLER WEIGHT (KG)	565	650	800	970
REQUIRED POWER (HP)	60-70	70-80	80-90	90-100

EFC-166

DISC PLOUGH



TECHNICAL SPECIFICATIONS	EFC-166-2	EFC-166-3	EFC-166-4	EFC-166-5
NUMBER OF DISCS (PCS)	2	3	4	5
TOTAL LENGTH (MM)	1355	2330	2520	2910
TOTAL WIDTH (MM)	1115	1265	1420	1570
TOTAL HEIGHT (MM)	1235	1235	1235	1235
TOTAL WEIGHT (KG)	310	410	470	540
DISC DIAMETER (MM)	660-700	660-700	660-700	660-700
DISC DISTANCE (MM)	530	530	530	530
WORKING WIDTH (MM)	660-700	990-1050	1320-1400	1650-1750
REQUIRED POWER (HP)	35-40	55-60	70-80	85-90

EFC-170

GARDEN SPRAYER



TECHNICAL SPECIFICATIONS	EFC-170-350
CAPACITY (LT)	350
WORK WIDTH (M)	16-18
HEIGHT (MM)	1450
WIDTH (MM)	1100
LENGTH (MM)	1050
MACHINE WEIGHT (KG)	80
LEAF SPREADER PIECE	5
PROPELLER PIECE	SINGLE

EFC-180

TRAILED LIGHT TYPE DISC HARROW WITH HYDRAULIC LIFT



TECHNICAL SPECIFICATIONS	EFC-180-28	EFC-180-32	EFC-180-36	EFC-180-40
DISC QUANTITY (PCS)	28	32	36	40
DISC DIAMETER (MM)	510X4	510X4	510X4	510X4
WORKING WIDTH (MM)	2550	2900	3240	3600
WEIGHT (KG)	1250	1370	1490	1600
DISC SPACE (MM)	175	175	175	175
BEARING NO	8	12	12	12
NECESSARY POWER	60-75	70-80	80-90	90-100

EFC-181

TRAILED & MOUNTED V TYPE GOBLE DISC HARROW



TECHNICAL SPECIFICATIONS	EFC-181-16	EFC-181-18	EFC-181-20	EFC-181-22	EFC-181-24
DISC QUANTITY	16	18	20	22	24
DISC DIAMETER (MM)	610X4	610X4	610X4	610X4	610X4
WORKING WIDTH (MM)	1840	2070	2330	2530	2760
WEIGHT (KG)	800	1004	1058	1108	1230
DISC SPACE (MM)	220	220	220	220	220
BEARING NO	4	4	6	6	8
NECESSARY POWER (HP)	65-75	80-85	90-95	100-105	110-115

EFC-190

SEED DRILL



TECHNICAL SPECIFICATIONS	EFC-190-12	EFC-190-14	EFC-190-16	EFC-190-18	EFC-190-20	EFC-190-22	EFC-190-24
NUMBER OF TINES	12	14	16	18	20	22	24
TOTAL LENGTH (MM)	2380	2650	2920	3190	3460	3730	4000
TOTAL PLANTING LENGTH (MM)	1490	1750	2020	2290	2560	2830	3100
TOTAL PLANTING PARKING (MM)	1300	1300	1300	1300	1300	1300	1300
BOX LENGTH	1780	2050	2320	2590	2860	3130	3400
TOTAL HEIGHT	135	135	135	135	135	135	135
TOTAL CAPACITY (DM3)	250	310	325	365	405	445	485
MANURE CAPACITY (DM3)	185	220	250	280	310	340	370
DISC RANGE BETWEEN PLANTING (MM)	135	135	135	135	135	135	135
WEIGHT	710	760	820	880	940	1000	1160
DIGGING DEPTH OF DISCS (MM)	150	150	150	150	150	150	150

EFC-191

CHICKPEA SEED DRILL



TECHNICAL SPECIFICATIONS	EFC-191-9X1800	EFC-191-11X2200	EFC-191-13X2600	EFC-191-15X3000
NUMBER OF TINES	9	11	13	15
CHICKPEAS SOWING DISTANCE	200	200	200	200
LENGTH AT PARK POSITION	2200	2800	3200	3400
WIDTH AT PARK POSITION	1400	1400	1400	1400
HEIGHT AT PARK POSITION	1550	1550	1550	1550
CHASSIS LENGTH	650	650	650	650
WORKING LENGTH	1800	2200	2600	3000
WEIGHT	700	750	850	950

EFC-200

LEVELLING SHOVEL



TECHNICAL SPECIFICATIONS	EFC-200-200	EFC-200-220	EFC-200-240	EFC-200-200-10
MATERIAL TYPE	200	220	240	240
THICKNESS (MM)	6	6	8	10
WIDTH (CM)	155	165	175	175
LENGTH (CM)	200	200	240	240
HEIGHT (CM)	143	143	143	160
WORKING WIDTH (CM)	200	220	240	240
NECESSARY POWER (HP)	40-70	40-70	40-70	40-70

EFC-201

THRESHING MACHINE



WIDTH (CM)	LENGTH (CM)	HEIGHT (CM)	WEIGHT (KG)	BUCKET WIDTH (CM)	NECESSARY POWER (HP)
97	265	135	240	78	40-70

EFC-210

THRESHING MACHINE



TECHNICAL SPECIFICATIONS	EFC-210
LENGHT	4,100 MM
WIDTH	2,050 MM
HEIGHT	2,350 MM
WIEGHT	1,450 KG
BEATER WIDTH	1,200 MM
NUMBER BEATER OF BLADES	44
"BEATER SIEVE DIAMETERS DIAMETERS"	14-16-20 MM
TIER SIZE	600 X 16
POWER REQUIREMENT (MIN)	1200 RPM/MIN

EFC-220

TRAILER



3 TONS TRAILER

4 TONS TRAILER



6 TONS TRAILER



EFC-230

HOEING MACHINES



TECHNICAL SPECIFICATIONS	EFC-230	EFC-230
TRANSMISSION AND DIFF	3 FORWARD AND 1 REVERSE SPEED CONICAL AND BEVEL GEAR TRANSMISSION	MANUAL 3 FORWARD AND 1 REVERSE SPEED CONICAL AND BEVEL GEAR BOX
TILLER/ WORKING WITH	ADJUSTABLE 60-90 CM (WITH THE PROTECTIVE SIDE DISKS)	ADJUSTABLE 60-90 CM (WITH THE PROTECTIVE SIDE DISKS)
SAFETY DEVICES	EMERGENCY ENGINE STOP SYSTEM	MOTOR STOP SHUTS DOWN THE ENGINE IMMEDIATELY
WHEELS (OPTIONAL)	500 X 12	400 X 8
ENGINE TYPE	4 STROKE WITH DIRECT INJECTION ENGINE WITH SINGLE-CYLINDER	4 STROKE GASOLINE ENGINE
STARTING SYSTEM	ROPE/RECOIL/ ELECTRICAL START	ROPE
CYLINDER VOLUME (CM ³)	400 CM ³	196 (68.0 X 54.0)
RATED POWER	8.5 HP / 3000 RPM D/DK	6.5 HP / 3600 RPM
RATED TORQUE	32.8 1800 D/DK	1.26 KG-M (12.4 N-M) 2500 RPM
FUEL TANK CAPACITY	5.3 LT	3,6 LT
FUEL TYPE	DIESEL	GAZOLINE
COOLING SYSTEM	AIR PRESSURED	AIR
WEIGHT	± 150 KG	95 KG

THRESHING MACHINE



TECHNICAL SPECIFICATIONS	EFC-231
CUTTING WIDTH	87 CM
TRANSMISSION AND DIFF	1 FORWARD 2 REVERSE MANUEL SPEED CONICAL AND BEVEL GEAR BOX
SAFETY DEVICES	MOTOR STOP SHUTS DOWN THE ENGINE IMMEDIATELY
WHEELS (OPTIONAL)	410X60
ENGINE TYPE	6,5 ENGINE SINGLE CYLINDER WITH FOUR STROKE, AIR COOLED
FUEL TANK CAPACITY	4,3 LT
FULE TYPE	GAZOLINE
WEIGHT	75 KG
POWER KW/HP	6,5 HP , 4.8 KW
MAX ROTATION	11,0 / 2500



efcagri
Agricultural Machinery

Fevziçakmak Mah. Gülistan Cad. No:110
ASPAK 2. San. Sit. Karatay-KONYA / TURKYE
Tel : +90 332 345 3177
Fax : +90 332 345 3176
Gsm : +90 539 574 7654 (Eng - Arabic)
Gsm : +90 539 574 7650 (Russian)



www.efcagri.com
info@efcagri.com

DOĞA
GROUP

